

PVC Perforated Pipe

Please check/fill-in desired specifications and sign below.

Material	Pattern	Special Pattern
<input type="checkbox"/> ASTM D3034 Sewer SDR35	<input type="checkbox"/> Standard	Hole Size: _____.
<input type="checkbox"/> ASTM D3034 Sewer SDR26	<input type="checkbox"/> ASTM F-758 / AASHTO M278	Hole Spacing: _____.
<input type="checkbox"/> ASTM D1785/D2665 SCH40	<input type="checkbox"/> Special	Hole Rows: _____.
<input type="checkbox"/> ASTM D1785/D2665 SCH80		_____.
<input type="checkbox"/> Special: _____.		

Sizes: _____.

Length: _____.

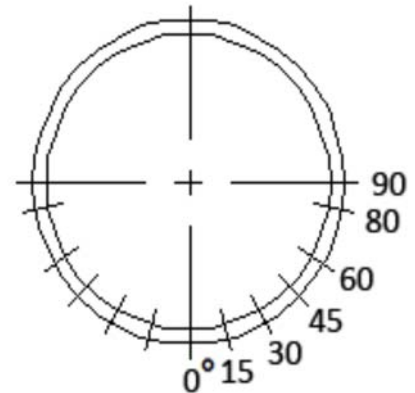
Signature: _____.

Standard Pattern (per ASTM D2729)

Nominal Pipe Size	Hole Size	Hole Spacing	Hole Rows
4" - 6"	1/2"	5" ± 1/4"	2 @ 120° (± 5°)
8" - 15"	7/8"	6" ± 1/4"	2 @ 120° (± 5°)

ASTM F758 / AASHTO M278 Pattern

Nominal Pipe Size	Hole Size	Hole Spacing	Hole Rows
4"	3/8"	3" ± 1/4"	2 @ 90° (± 3°)
6" - 10"	3/8"	3" ± 1/4"	2 @ 90°, 2 @ 160° (± 3°)
12" - 15"	3/8"	3" ± 1/4"	2 @ 90°, 2 @ 120°, 2 @ 160° (± 3°)



NATIONAL'S sewer (D3034) and DWV (D2665) PVC pipe is manufactured from a PVC compound with a cell class of 12454, as defined in ASTM D1784, and meets the standard specifications of ASTM D3212, if integral gasketed joints are provided. Gasket material conforms to the requirement of ASTM F477.

Standard pipe lengths for sewer are 14', and for DWV 20'. Other lengths are available upon special request.